

# BasicLINE mini

BasicLINE mini, white



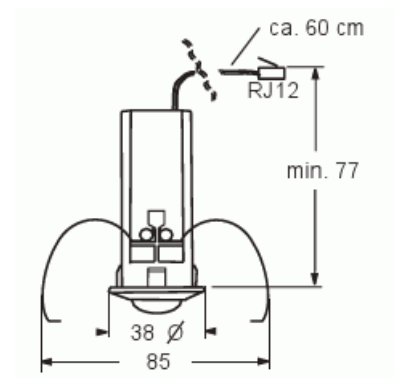
**Type:** 6811 EB-500

**Product ID:** 2CKA006800A2517

**GTIN:** 4011395148037



230V/50Hz, 2000W, IP20 for flush mounting.  
Detection area 360°, 4-10m. Brightness level adjustment 10-1000 lux.  
Time delay 1min. - 15min. Installation height 2-5m.



## Technical specification

### Thermal conditions

Operating temperature:	0 ... 45 °C
------------------------	-------------

### Electronics

Operating frequency:	50 Hz
Detection area:	360 °

### Packing

Package:	1/30
Unit:	PCS

### ETIM Data

# Product Card

BasicLINE mini, white



ETIM Version:	ETIM-9.0
ETIM Class:	EC000133
Model:	Presence detector
Sensor type:	Passive infrared
With DALI interface:	No
Constant light control:	No
HVAC-control:	No
Forced switch on:	No
Forced switch off:	No
Animal zone:	No
Creep-under protection:	Yes
Networkable:	No
Optimum mounting height:	2 m
Staircase monitoring:	Yes
Bridging switch:	No
Suitable for wireless transmission:	No
Remote operation:	No
With remote control:	No
Response value sensitivity adjustable:	Yes
Response value luminosity adjustable:	Yes
With signal unit:	No
Teach-function for response value luminosity:	No
Dim function with dimmer basic element:	No
Mounting method:	Other
Suitable for ceiling mounting:	Yes
Suitable for wall mounting:	No
Material:	Plastic
Material quality:	Thermoplastic
Halogen free:	Yes
Surface protection:	Untreated
Surface finishing:	Matt
Anti-bacterial treatment:	No
Colour:	White
RAL-number (similar):	9010

# Product Card

BasicLINE mini, white



Transparent:	No
Degree of protection (IP):	IP20
Voltage type:	AC
Frequency:	50 Hz
Nominal voltage:	230 V
Min. switch-on time:	60 s
Max. duty cycle:	15 min
Detection angle horizontal:	360 °
Response value luminosity:	10...1000 lx
Substation input:	No
With alarm function:	No
Width:	75 mm
Height:	130 mm
Depth:	150 mm
Built-in width:	27 mm
Built-in depth:	205 mm
Built-in diameter:	32 mm
Min. depth of built-in installation box:	205 mm
Compatible with Apple HomeKit:	No
Compatible with Google Assistant:	No
Compatible with Amazon Alexa:	No
IFTTT support available:	No