

Dimmer

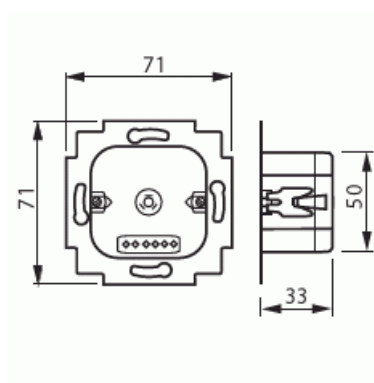
Potentiometer insert 1-10 V

Type: 2112 U-101-500

Product ID: 2CKA006599A2873

GTIN: 4011395037188

Potentiometer insert 1-10 V. For controlling electronic control gears for fluorescent lamps, analogy adjustment (IEC 929). Nominal voltage: 230 V/50 Hz. Control current max. 50 mA DC. Switching capability 4 A cos ϕ 0,9. Up to 4 gears can be directly connected to 1 dimmer.



Technical specification

Packing

Package:	1/10
Unit:	PCS

ETIM Data

ETIM Version:	ETIM-9.0
ETIM Class:	EC000025
Method of operation:	Turn button
Type of load:	Universal
Light value memory:	Yes
Mounting method:	Flush mounted (plaster)
Halogen free:	No

Product Card

Potentiometer insert 1-10 V



Nominal voltage:	230 V
Device width:	71 mm
Device height:	71 mm
Device depth:	53 mm
Min. depth of built-in installation box:	32 mm
Compatible with Apple HomeKit:	No
Compatible with Google Assistant:	No
Compatible with Amazon Alexa:	No
IFTTT support available:	No