

Product Card

LED dimmer, rotary 2-100VA, insert with neon lamp



LED-Dimmer

LED dimmer, rotary 2-100VA, insert with neon lamp

Type: 6523 UR-103-500

Product ID: 2CKA006512A0345

GTIN: 4011395232101

Optimized for dimming of Philips retrofit LEDs (LEDi). With rotary control, soft-catch and with leading edge control.

For incandescent lamps, 230V tungsten halogen lamps and low-voltage halogen lamps with conventional transformers or electronic (LC) transformers and dimmable halogen energy-saving lamps.

Mix operation of LEDi with conventional loads possible.

Low-noise level by MOSFET transistors.

With electronic short-circuit protection.

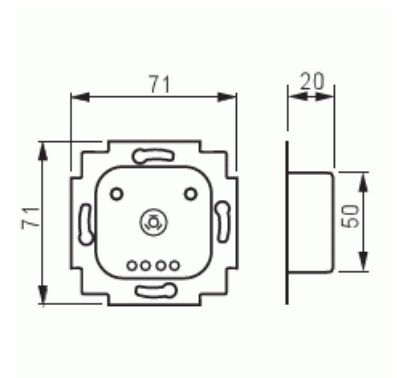
With electronic overload protection.

With adjustable minimum brightness.

Product includes insert, center plate and frame.

Note!

There might be limitations from transformer producers on how many dimmable LED bulbs can be connected behind one transformer



Technical specification

Classification

Suitable for degree of protection (IP): IP20

Packing

Package: 1/10

Unit: PCS

Product Card

LED dimmer, rotary 2-100VA, insert with neon lamp



ETIM Data

Assembly arrangement:	Basic element
Method of operation:	Turn/push button
App control via Bluetooth:	No
Dimming phase cut-on:	Yes
Dimming phase cut-off:	Yes
Serial dimmer:	No
Type of load:	Universal and LED Retrofit
Substation input:	Yes
Light value memory:	Yes
Applicable with button:	No
Applicable with movement sensor:	No
Applicable with presence indicator:	No
Applicable with time switch/timer:	No
Applicable with transmission button:	No
Applicable with infrared button:	No
Minimum brightness controllable:	Yes
Mounting method:	Flush mounted (plaster)
Type of fastening:	Mounting with screw
Material:	Plastic
Material quality:	Thermoplastic
Halogen free:	Yes
Surface protection:	Untreated
Surface finishing:	Matt
Colour:	Black
Transparent:	No
Impact strength:	IK00
Nominal voltage:	230 V
Max. switching power LED:	400 W
Connection type:	Screwed terminal
Core cross section:	1...2.5 mm ²
Device width:	71 mm
Device height:	71 mm

Product Card

LED dimmer, rotary 2-100VA, insert with neon lamp



Device depth:	42 mm
Min. depth of built-in installation box:	20 mm
Compatible with Apple HomeKit:	No
Compatible with Google Assistant:	No
Compatible with Amazon Alexa:	No
IFTTT support available:	No