

## Product Card

Universal relay unit insert, 10 A.



# Universal relay switch

Universal relay unit insert, 10 A.

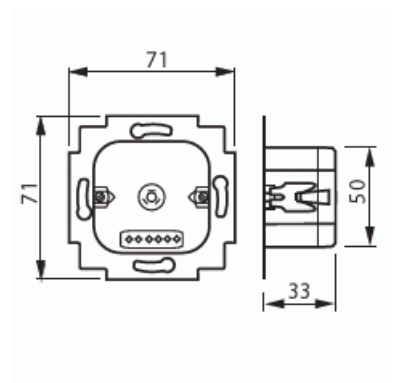
**Type:** 6401 U-102-500

**Product ID:** 2CKA006401A0049

**GTIN:** 4011395991312



Universal relay switch, insert, 230 V / 10 A. 3 wire connection (neutral conductor required).



## Technical specification

### Electrical quantities

Nominal voltage:	230 V
Operating voltage:	230V ~ ± 10%
Maximum voltage:	250 V
Breaking capacity:	≤ 2300 W/VA

### Classification

Enclosure class:	IP20
------------------	------

### Thermal conditions

Operating temperature:	-20 ... 55 °C
------------------------	---------------

# Product Card

Universal relay unit insert, 10 A.



## Electronics

Operating frequency:	50 Hz
----------------------	-------

## Packing

Package:	1/10
Unit:	PCS

## ETIM Data

ETIM Version:	ETIM-9.0
ETIM Class:	EC001588
Assembly arrangement:	Basic element
Model:	Relay
Type of load:	Universal and LED Retrofit
Substation input:	Yes
Applicable with button:	Yes
Applicable with movement sensor:	Yes
Applicable with presence indicator:	Yes
Applicable with time switch/timer:	Yes
Applicable with infrared button:	Yes
Mounting method:	Flush mounted (plaster)
Material:	Plastic
Material quality:	Thermoplastic
Surface protection:	Other
Surface finishing:	Glossy
Rated current:	10 A
Min. depth of built-in installation box:	32 mm
Compatible with Apple HomeKit:	No
Compatible with Google Assistant:	No
Compatible with Amazon Alexa:	No
IFTTT support available:	No