

Product Card

Adapter for DKS-system, fiber 2 x SCD



Adapter

Adapter for DKS-system, fiber 2 x SCD

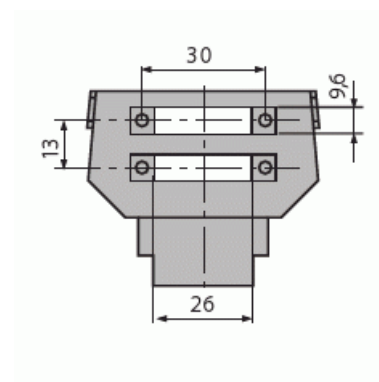
Type: 1874 EB

Product ID: 2CKA001764A0307

GTIN: 4011395734902



The adapters 18xxEB and the center plates 1758-xx form the DKS-system. You can use the DKS-system to fix many kinds of tele-connectors to Impressivo- or Jussi-series.



Technical specification

Classification

Suitable for degree of protection (IP):	IP20
---	------

Packing

Package:	10/100
Unit:	PCS

ETIM Data

Assembly arrangement:	Control element
Utilization:	Other
Support ring:	No
With dust cover:	No

Product Card

Adapter for DKS-system, fiber 2 x SCD



With hinged lid:	No
Outlet direction:	Inclined
Imprintable label:	Without indication field
With imprint:	No
Material:	Plastic
Material quality:	Thermoplastic
Halogen free:	Yes
Anti-bacterial treatment:	No
Surface protection:	Untreated
Surface finishing:	Matt
Colour:	Anthracite
RAL-number (similar):	7021
Transparent:	No
Number of modules (module system):	1
With buses/couplings:	No
Suitable for number of connectors:	2
With strain relief:	No
Shielded buses:	No
Shielded housing:	No
Luster terminal:	No
With lighting:	No
Device width:	59 mm
Device height:	46 mm
Device depth:	12 mm
Min. depth of built-in installation box:	32 mm