

Product Card

Cover frame, Axcent, 4-gang, green



Cover frame

Cover frame, Axcent, 4-gang, green

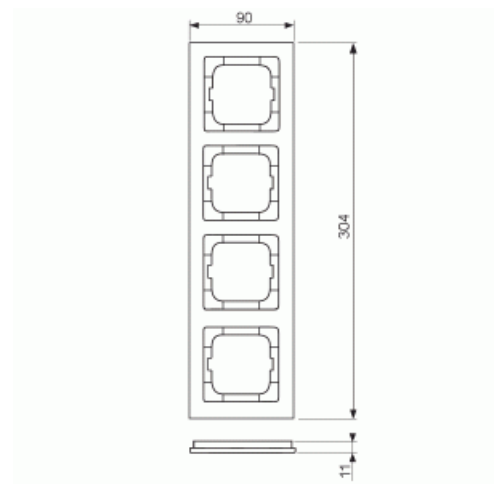
Type: 1724-286

Product ID: 2CKA001754A4350

GTIN: 4011395113455



Flush mounting cover frame for 1-gang accessories, such as switches. Plastic material. Cleaning with a mild, standard household detergent. The use of strong dissolvents should be avoided.



Technical specification

Packing

Package:	1
Unit:	PCS

ETIM Data

Number of units:	4
Mounting direction:	Horizontal and vertical
Number of units horizontal:	4
Number of units vertical:	4
With mounting grid:	No

Product Card

Cover frame, Axcen, 4-gang, green



Flush-mounted installation:	Yes
Suitable for floor box:	No
Suitable for wall duct:	Yes
Suitable for built-in installation:	No
Label space/information surface:	No
Material:	Plastic
Material quality:	Thermoplastic
Halogen free:	Yes
Anti-bacterial treatment:	No
Surface protection:	Untreated
Surface finishing:	Glossy
Colour:	Green
RAL-number (similar):	6032
Transparent:	No
With hinged lid:	No
Degree of protection (IP):	IP20
Impact strength:	IK03
Type of fastening:	Clamp mounting
Width:	91 mm
Height:	304 mm
Depth:	11 mm
Built-in width:	63 mm
Built-in height:	63 mm
Diameter bore hole (opening):	71 mm