

## Product Card

Cover frame, Axcent, 3-gang, Blue



# Cover frame

Cover frame, Axcent, 3-gang, Blue

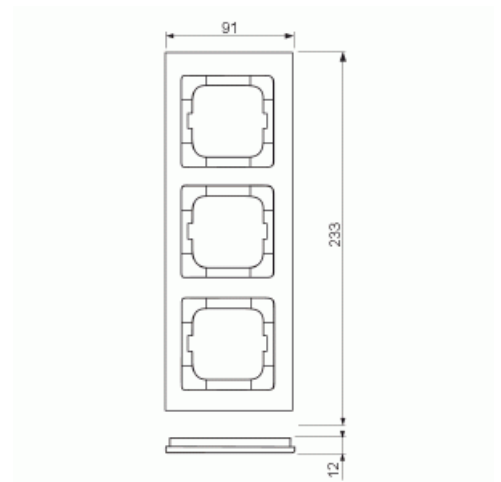
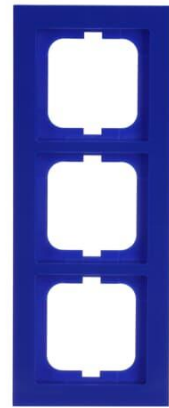
**Type:** 1723-288

**Product ID:** 2CKA001754A4345

**GTIN:** 4011395113394



Flush mounting cover frame for 1-gang accessories, such as switches. Plastic material. Cleaning with a mild, standard household detergent. The use of strong dissolvents should be avoided.



## Technical specification

### Packing

|          |      |
|----------|------|
| Package: | 1/10 |
| Unit:    | PCS  |

### ETIM Data

|                             |                         |
|-----------------------------|-------------------------|
| Number of units:            | 3                       |
| Mounting direction:         | Horizontal and vertical |
| Number of units horizontal: | 3                       |
| Number of units vertical:   | 3                       |
| With mounting grid:         | No                      |

# Product Card

Cover frame, Axcnt, 3-gang, Blue



|                                     |                |
|-------------------------------------|----------------|
| Flush-mounted installation:         | Yes            |
| Suitable for floor box:             | No             |
| Suitable for wall duct:             | Yes            |
| Suitable for built-in installation: | No             |
| Label space/information surface:    | No             |
| Material:                           | Plastic        |
| Material quality:                   | Thermoplastic  |
| Halogen free:                       | Yes            |
| Anti-bacterial treatment:           | No             |
| Surface protection:                 | Untreated      |
| Surface finishing:                  | Glossy         |
| Colour:                             | Blue           |
| RAL-number (similar):               | 5002           |
| Transparent:                        | No             |
| With hinged lid:                    | No             |
| Degree of protection (IP):          | IP20           |
| Impact strength:                    | IK03           |
| Type of fastening:                  | Clamp mounting |
| Width:                              | 91 mm          |
| Height:                             | 233 mm         |
| Depth:                              | 11 mm          |
| Built-in width:                     | 63 mm          |
| Built-in height:                    | 63 mm          |
| Diameter bore hole (opening):       | 71 mm          |