

## Product Card

Cover frame, Axcent, 3-gang, white



# Cover frame

Cover frame, Axcent, 3-gang, white

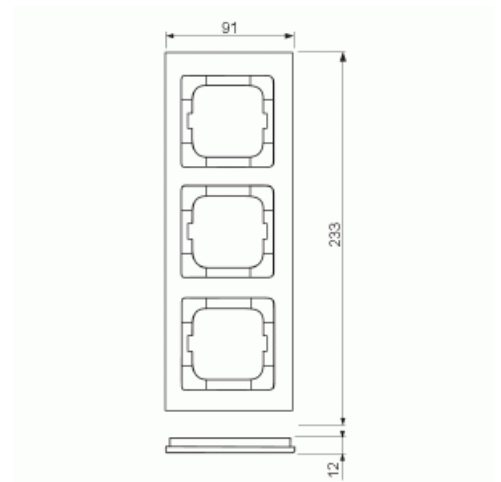
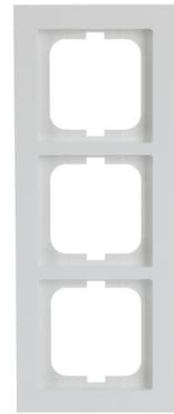
**Type:** 1723-284

**Product ID:** 2CKA001754A4333

**GTIN:** 4011395113264



Flush mounting cover frame for 1-gang accessories, such as switches. Plastic material. Cleaning with a mild, standard household detergent. The use of strong dissolvents should be avoided.



## Technical specification

### Colors

Colour:	White
Colour code:	RAL9016

### Packing

Package:	1/10
Unit:	PCS

### ETIM Data

Number of units:	3
------------------	---

# Product Card

Cover frame, Axcnt, 3-gang, white



Mounting direction:	Horizontal and vertical
Number of units horizontal:	3
Number of units vertical:	3
With mounting grid:	No
Flush-mounted installation:	Yes
Suitable for floor box:	No
Suitable for wall duct:	Yes
Suitable for built-in installation:	No
Label space/information surface:	No
Material:	Plastic
Material quality:	Thermoplastic
Halogen free:	Yes
Anti-bacterial treatment:	No
Surface protection:	Untreated
Surface finishing:	Glossy
Colour:	White
RAL-number (similar):	9016
Transparent:	No
With hinged lid:	No
Degree of protection (IP):	IP20
Impact strength:	IK03
Type of fastening:	Clamp mounting
Width:	91 mm
Height:	233 mm
Depth:	11 mm
Built-in width:	63 mm
Built-in height:	63 mm
Diameter bore hole (opening):	71 mm