

## Product Card

Switch rocker, 1-gang, black matt



# Rocker

Switch rocker, 1-gang, black matt

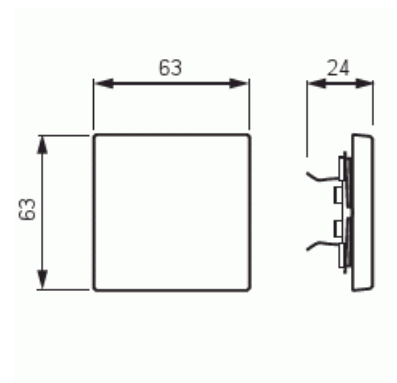
**Type:** 1786-885

**Product ID:** 2CKA001751A3041

**GTIN:** 4011395129753



1-gang rocker for all 1-rocker switch inserts. Can be installed in dry indoor spaces. The surface is painted. Cleaning with a mild, standard household detergent. Be careful when cleaning with a powerful dissolvent.



## Technical specification

### Packing

Package:	1/10/100/1000
Unit:	PCS

### ETIM Data

Model:	Single rocker
Scannable symbol/barrier free:	No
Utilization:	Switch/push button
Suitable for touch sensor connector for bus system:	No
Type of fastening:	Clamp mounting
Monitoring window/light outlet:	No
Material:	Plastic

# Product Card

Switch rocker, 1-gang, black matt



Material quality:	Thermoplastic
Halogen free:	No
Surface protection:	Lacquered
Surface finishing:	Matt
Anti-bacterial treatment:	No
Colour:	Black
RAL-number (similar):	9005
With label area:	No
With exchangeable lens/symbol:	No
Suitable for degree of protection (IP):	IP20
Impact strength:	IK03
Width:	63 mm
Height:	63 mm
Depth:	20 mm