

Product Card

Switch rocker, 2-gang, black matt



Rocker

Switch rocker, 2-gang, black matt

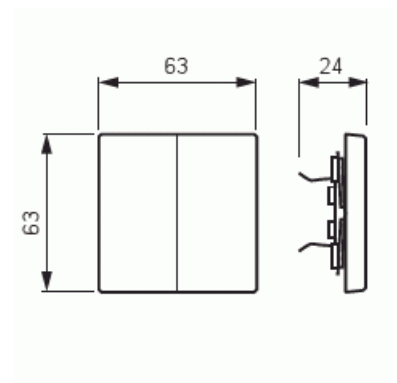
Type: 1785-885

Product ID: 2CKA001751A3038

GTIN: 4011395129685



2-gang rocker for 2-rocker switch inserts. Can be installed in dry indoor spaces. The surface is painted. Cleaning with a mild, standard household detergent. Be careful when cleaning with a powerful dissolvent.



Technical specification

Classification

Suitable for degree of protection (IP):	IP20
---	------

Packing

Package:	1
Unit:	PCS

ETIM Data

Model:	Two-part rocker
Scannable symbol/barrier free:	No
Utilization:	Switch/push button
Suitable for touch sensor connector for bus system:	No

Product Card

Switch rocker, 2-gang, black matt



Type of fastening:	Clamp mounting
Monitoring window/light outlet:	No
Material:	Plastic
Material quality:	Thermoplastic
Halogen free:	No
Surface protection:	Lacquered
Surface finishing:	Matt
Anti-bacterial treatment:	No
Colour:	Black
RAL-number (similar):	9005
With label area:	No
With exchangeable lens/symbol:	No
Impact strength:	IK03
Width:	63 mm
Height:	63 mm
Depth:	20 mm