

## Product Card

Switch rocker, 1-gang, red lens, "1/0" symbol, white matt



# Rocker

Switch rocker, 1-gang, red lens, "1/0" symbol, white matt

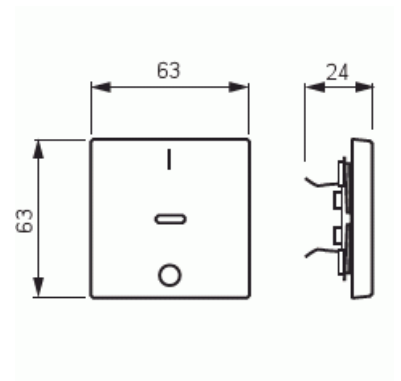
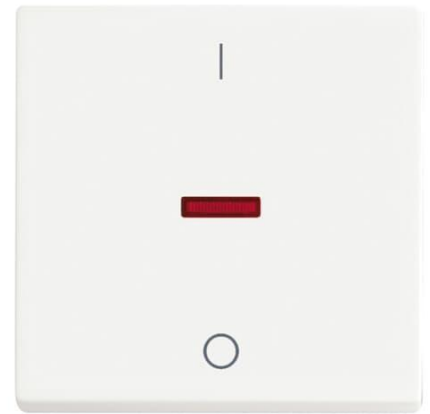
**Type:** 1788-884

**Product ID:** 2CKA001751A3028

**GTIN:** 4011395129319



1-gang rocker for all 1-rocker switch inserts. Can be installed in dry indoor spaces. The surface is painted. Cleaning with a mild, standard household detergent. Be careful when cleaning with a powerful dissolvent.



## Technical specification

### Packing

Package:	1
Unit:	PCS

### ETIM Data

Model:	Single rocker
Scannable symbol/barrier free:	No
Utilization:	Switch/push button
Suitable for touch sensor connector for bus system:	No
Type of fastening:	Clamp mounting
Monitoring window/light outlet:	No
Material:	Plastic

# Product Card

Switch rocker, 1-gang, red lens, "1/0" symbol, white matt



Material quality:	Thermoplastic
Halogen free:	No
Surface protection:	Lacquered
Surface finishing:	Matt
Anti-bacterial treatment:	No
Colour:	White
RAL-number (similar):	9016
With label area:	No
With exchangeable lens/symbol:	No
Suitable for degree of protection (IP):	IP20
Impact strength:	IK03
Width:	63 mm
Height:	63 mm
Depth:	20 mm