

Product Card

Switch rocker, 1-gang, "bell" symbol, lens, steel



Rocker

Switch rocker, 1-gang, "bell" symbol, lens, steel

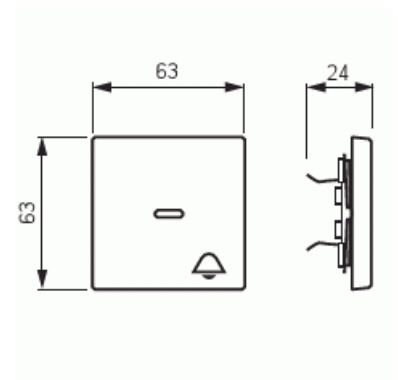
Type: 1789 KI-866

Product ID: 2CKA001751A2959

GTIN: 4011395086117



1-gang rocker for all 1-rocker switch inserts. Can be installed in dry indoor spaces. The surface is pure stainless steel and easy to keep clean. Cleaning with a mild, standard household detergent. Be careful when cleaning with a powerful dissolvent.



Technical specification

Packing

Package:	1/10/100/2800
Unit:	PCS

ETIM Data

Model:	Single rocker
Imprint/indication:	Symbol "bell"
Scannable symbol/barrier free:	No
Utilization:	Switch/push button
Suitable for touch sensor connector for bus system:	No
Type of fastening:	Clamp mounting
Monitoring window/light outlet:	No

Product Card

Switch rocker, 1-gang, "bell" symbol, lens, steel



Material:	Metal
Material quality:	Stainless steel
Halogen free:	No
Surface protection:	Other
Surface finishing:	Matt
Anti-bacterial treatment:	No
Colour:	Stainless steel
With label area:	No
With exchangeable lens/symbol:	No
Suitable for degree of protection (IP):	IP20
Impact strength:	IK03
Width:	63 mm
Height:	63 mm
Depth:	20 mm