

Product Card

Switch rocker, 1-gang, red lens, steel



Rocker

Switch rocker, 1-gang, red lens, steel

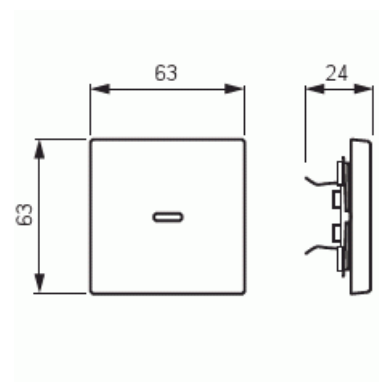
Type: 1789-866

Product ID: 2CKA001751A2957

GTIN: 4011395086063



1-gang rocker for all 1-rocker switch inserts. Can be installed in dry indoor spaces. The surface is pure stainless steel and easy to keep clean. Cleaning with a mild, standard household detergent. Be careful when cleaning with a powerful dissolvent.



Technical specification

Classification

| | |
|---|------|
| Suitable for degree of protection (IP): | IP20 |
|---|------|

Packing

| | |
|----------|---------------|
| Package: | 1/10/100/2800 |
| Unit: | PCS |

ETIM Data

| | |
|---|--------------------|
| Model: | Single rocker |
| Scannable symbol/barrier free: | No |
| Utilization: | Switch/push button |
| Suitable for touch sensor connector for bus system: | No |

Product Card

Switch rocker, 1-gang, red lens, steel



| | |
|---------------------------------|-----------------|
| Type of fastening: | Clamp mounting |
| Monitoring window/light outlet: | No |
| Material: | Metal |
| Material quality: | Stainless steel |
| Halogen free: | No |
| Surface protection: | Untreated |
| Surface finishing: | Matt |
| Anti-bacterial treatment: | No |
| Colour: | Stainless steel |
| With label area: | No |
| With exchangeable lens/symbol: | No |
| Impact strength: | IK03 |
| Width: | 63 mm |
| Height: | 63 mm |
| Depth: | 20 mm |