

Product Card

Switch rocker, Impressivo, 2-gang, "up/down" symbol, aluminum



Switch rocker

Switch rocker, Impressivo, 2-gang, "up/down" symbol, aluminum

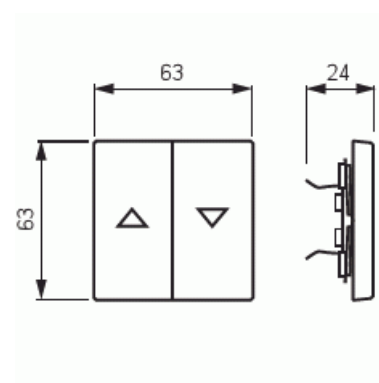
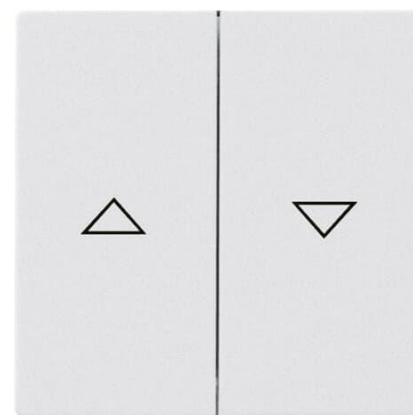
Type: 1785 JA-83

Product ID: 2CKA001751A2944

GTIN: 4011395070185



2-gang rocker for 2-rocker switch inserts (not for 10621.xx). Can be installed in dry indoor spaces. When flush mounted into humid spaces or outdoors a seal kit and screw fastening of the rocker frame must be used. Manufactured from a durable high quality plastic material. The surface is glossy and easy to keep clean. Cleaning with a mild, standard household detergent. Be careful when cleaning with a powerful dissolvent.



Technical specification

Packing

Package:	1/10/100/2800
Unit:	PCS

ETIM Data

Model:	Two-part rocker
Imprint/indication:	Symbol "arrows"
Scannable symbol/barrier free:	No
Utilization:	Venetian blind
Suitable for touch sensor connector for bus system:	No
Type of fastening:	Clamp mounting

Product Card

Switch rocker, Impressivo, 2-gang, "up/down" symbol, aluminum



Monitoring window/light outlet:	No
Material:	Plastic
Material quality:	Thermoplastic
Halogen free:	No
Surface protection:	Lacquered
Surface finishing:	Matt
Anti-bacterial treatment:	No
Colour:	Aluminium
RAL-number (similar):	9006
With label area:	No
With exchangeable lens/symbol:	No
Suitable for degree of protection (IP):	IP20
Impact strength:	IK03
Width:	63 mm
Height:	63 mm
Depth:	20 mm