

## Product Card

Switch rocker, Impressivo, 1-gang, "key" symbol, lens, anthracite



# Switch rocker

Switch rocker, Impressivo, 1-gang, "key" symbol, lens, anthracite

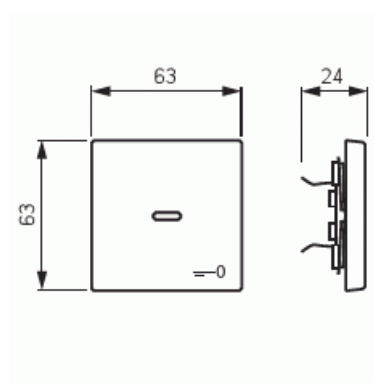
**Type:** 1789 TR-81

**Product ID:** 2CKA001751A2933

**GTIN:** 4011395056097



1-gang rocker for all 1-rocker switch inserts. Can be installed in dry indoor spaces. When flush mounted into humid spaces or outdoors a seal kit and screw fastening of the rocker frame must be used. Manufactured from a durable high quality plastic material. The surface is glossy and easy to keep clean. Cleaning with a mild, standard household detergent. Be careful when cleaning with a powerful dissolvent.



## Technical specification

### Classification

Suitable for degree of protection (IP):	IP20
---	------

### Packing

Package:	1/10/100/2800
Unit:	PCS

### ETIM Data

Model:	Single rocker
Imprint/indication:	Other
Scannable symbol/barrier free:	No

# Product Card

Switch rocker, Impressivo, 1-gang, "key" symbol, lens, anthracite



Utilization:	Switch/push button
Suitable for touch sensor connector for bus system:	No
Type of fastening:	Clamp mounting
Monitoring window/light outlet:	No
Material:	Plastic
Material quality:	Thermoplastic
Halogen free:	No
Surface protection:	Untreated
Surface finishing:	Glossy
Anti-bacterial treatment:	No
Colour:	Anthracite
RAL-number (similar):	7021
With label area:	No
With exchangeable lens/symbol:	No
Impact strength:	IK03
Width:	63 mm
Height:	63 mm
Depth:	20 mm