

Product Card

Switch rocker, Impressivo, 1-gang, red lens, anthracite



Switch rocker

Switch rocker, Impressivo, 1-gang, red lens, anthracite

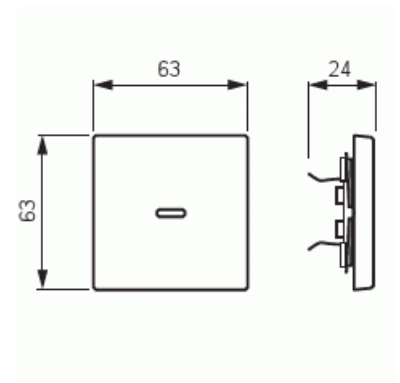
Type: 1789-81

Product ID: 2CKA001751A2928

GTIN: 4011395056042



1-gang rocker for all 1-rocker switch inserts. Can be installed in dry indoor spaces. When flush mounted into humid spaces or outdoors a seal kit and screw fastening of the rocker frame must be used. Manufactured from a durable high quality plastic material. The surface is glossy and easy to keep clean. Cleaning with a mild, standard household detergent. Be careful when cleaning with a powerful dissolvent.



Technical specification

Classification

Suitable for degree of protection (IP): IP20

Packing

Package: 1/10/100/2800

Unit: PCS

ETIM Data

Model: Single rocker

Scannable symbol/barrier free: No

Utilization: Switch/push button

Product Card

Switch rocker, Impressivo, 1-gang, red lens, anthracite



Suitable for touch sensor connector for bus system:	No
Type of fastening:	Clamp mounting
Monitoring window/light outlet:	No
Material:	Plastic
Material quality:	Thermoplastic
Halogen free:	No
Surface protection:	Untreated
Surface finishing:	Glossy
Anti-bacterial treatment:	No
Colour:	Anthracite
RAL-number (similar):	7021
With label area:	No
With exchangeable lens/symbol:	No
Impact strength:	IK03
Width:	63 mm
Height:	63 mm
Depth:	20 mm