

Center plate

Center plate, TV/R/Sat, white matt

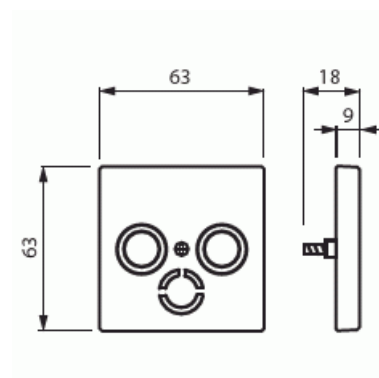
Type: 1743-884

Product ID: 2CKA001724A4293

GTIN: 4011395128626



Center plate for the most common antenna outlet inserts. The terminal opening "Sat" is closed, but it can be opened at the installation location. It is suitable for the 85mm cover frames. The surface is painted. Cleaning with a mild, standard household detergent. Be careful when cleaning with a powerful dissolvent.



Technical specification

Classification

Suitable for degree of protection (IP):	IP20
---	------

Packing

Package:	1/10
Unit:	PCS

ETIM Data

Assembly arrangement:	Central cover plate
Utilization:	SAT
Support ring:	No
With dust cover:	No

Product Card

Center plate, TV/R/Sat, white matt



With hinged lid:	No
Outlet direction:	Straight
Imprintable label:	Without indication field
With imprint:	No
Mounting method:	Flush mounted (plaster)
Material:	Plastic
Material quality:	Thermoplastic
Halogen free:	Yes
Anti-bacterial treatment:	No
Surface protection:	Lacquered
Surface finishing:	Matt
Colour:	White
RAL-number (similar):	9016
Transparent:	No
Type of fastening:	Mounting with screw
Number of modules (module system):	1
With buses/couplings:	No
Suitable for number of connectors:	3
With strain relief:	No
Shielded buses:	No
Shielded housing:	No
Luster terminal:	No
With lighting:	No
Device width:	63 mm
Device height:	63 mm
Device depth:	63 mm
Min. depth of built-in installation box:	32 mm