

## Product Card

Center plate, TV/R/Sat, steel



# Center plate

Center plate, TV/R/Sat, steel

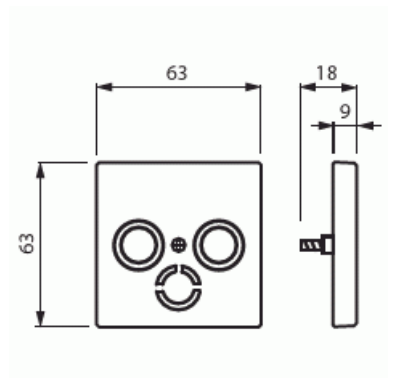
**Type:** 1743-866

**Product ID:** 2CKA001724A4271

**GTIN:** 4011395087893



Center plate for the most common antenna outlet inserts. The terminal opening "Sat" is closed, but it can be opened at the installation location. It is suitable for the 85mm cover frames. The surface material is pure stainless steel and easy to keep clean. Cleaning with a mild, standard household detergent. Be careful when cleaning with a powerful dissolvent.



## Technical specification

### Classification

Suitable for degree of protection (IP):	IP20
---	------

### Packing

Package:	1/10/100/2800
----------	---------------

Unit:	PCS
-------	-----

### ETIM Data

Assembly arrangement:	Central cover plate
-----------------------	---------------------

Utilization:	SAT
--------------	-----

Support ring:	No
---------------	----

With dust cover:	No
------------------	----

# Product Card

Center plate, TV/R/Sat, steel



With hinged lid:	No
Outlet direction:	Straight
Imprintable label:	Without indication field
With imprint:	No
Mounting method:	Flush mounted (plaster)
Material:	Metal
Material quality:	Stainless steel
Halogen free:	Yes
Anti-bacterial treatment:	No
Surface protection:	Untreated
Surface finishing:	Matt
Colour:	Stainless steel
Transparent:	No
Type of fastening:	Mounting with screw
Number of modules (module system):	1
With buses/couplings:	No
Suitable for number of connectors:	3
With strain relief:	No
Shielded buses:	No
Shielded housing:	No
Luster terminal:	No
With lighting:	No
Device width:	63 mm
Device height:	63 mm
Device depth:	11.6 mm
Min. depth of built-in installation box:	32 mm