

Product Card

DKS center plate, Impressivo, DKS-system, aluminum



Tele outlet

DKS center plate, Impressivo, DKS-system, aluminum

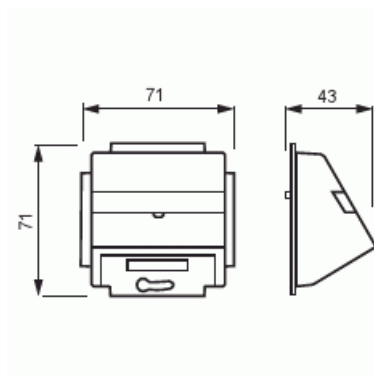
Type: 1758-83

Product ID: 2CKA001724A4263

GTIN: 4011395074732



Center plate and mounting frame suitable for adaptors 18xxEB. It is suitable for the 85mm cover frames and with the 2519-xx adapter also for the 100mm cover frames. Manufactured from a high quality durable plastic material. The surface is glossy and easy to keep clean. Cleaning with a mild, standard household detergent. Be careful when cleaning with a powerful dissolvent.



Technical specification

Classification

Suitable for degree of protection (IP):	IP20
---	------

Packing

Package:	1/10/100/1800
Unit:	PCS

ETIM Data

Assembly arrangement:	Basic element with housing top
Utilization:	For data connection housing
Support ring:	Yes
With dust cover:	No

Product Card

DKS center plate, Impressivo, DKS-system, aluminum



With hinged lid:	No
Outlet direction:	Inclined
Imprintable label:	With indication plate
With imprint:	No
Mounting method:	Flush mounted (plaster)
Material:	Plastic
Material quality:	Thermoplastic
Halogen free:	Yes
Anti-bacterial treatment:	No
Surface protection:	Lacquered
Surface finishing:	Matt
Colour:	Aluminium
RAL-number (similar):	9006
Transparent:	No
Type of fastening:	Mounting with screw
Number of modules (module system):	1
With buses/couplings:	No
With strain relief:	No
Shielded buses:	No
Shielded housing:	No
Luster terminal:	No
With lighting:	No
Device width:	71 mm
Device height:	71 mm
Device depth:	39.7 mm
Min. depth of built-in installation box:	32 mm