

## Product Card

Tele outlet, Impressivo, 22,5mm hole, anthracite



# Tele outlet

Tele outlet, Impressivo, 22,5mm hole, anthracite

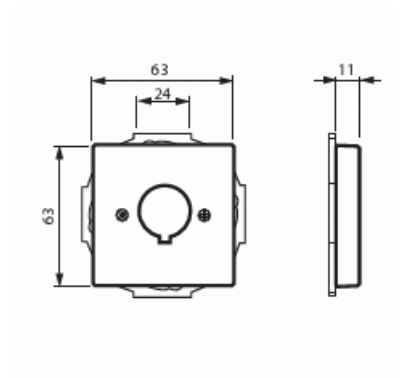
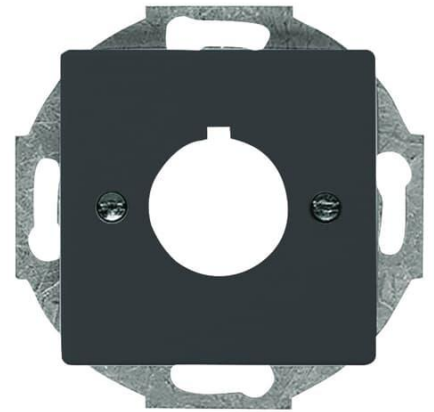
**Type:** 2533-81

**Product ID:** 2CKA001724A4254

**GTIN:** 4011395065631



Center plate with a round 22,5mm dented opening that prevents rotation. Used for fastening different devices. It is suitable for the 85mm cover frames and with the 2519-xx adapter also for the 100mm cover frames. The manufacture material is a durable high quality plastic. The surface is glossy and easy to keep clean. Cleaning with a mild, standard household detergent. Be careful when cleaning with a powerful dissolvent.



## Technical specification

### Classification

Suitable for degree of protection (IP):	IP20
---	------

### Packing

Package:	1/10/100/2800
Unit:	PCS

### ETIM Data

Assembly arrangement:	Control element
Utilization:	Other
Support ring:	Yes

# Product Card

Tele outlet, Impressivo, 22,5mm hole, anthracite



With dust cover:	No
With hinged lid:	No
Outlet direction:	Straight
Imprintable label:	Without indication field
With imprint:	No
Mounting method:	Flush mounted (plaster)
Material:	Plastic
Material quality:	Thermoplastic
Halogen free:	Yes
Anti-bacterial treatment:	No
Surface protection:	Untreated
Surface finishing:	Glossy
Colour:	Anthracite
RAL-number (similar):	7021
Transparent:	No
Type of fastening:	Mounting with screw
Number of modules (module system):	1
With buses/couplings:	No
Suitable for number of connectors:	1
With strain relief:	No
Shielded buses:	No
Shielded housing:	No
Luster terminal:	No
With lighting:	No
Device width:	71 mm
Device height:	71 mm
Device depth:	17.8 mm
Min. depth of built-in installation box:	32 mm