

## Product Card

Center plate, for card switch 8114.1, white matt



# Center plate

Center plate, for card switch 8114.1, white matt

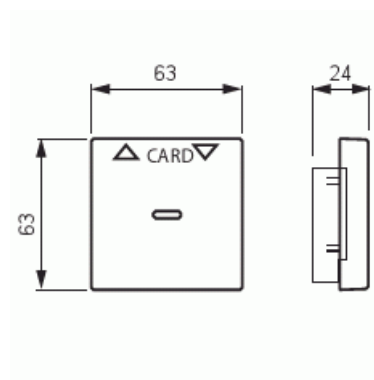
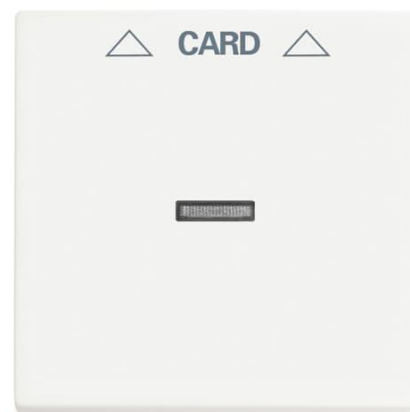
**Type:** 1792-884

**Product ID:** 2CKA001710A3928

**GTIN:** 4011395131664



Special rocker for card switch insert 8114.1. Used, for example, as a hotel-room "main switch" with a card the size of a credit card. Can only be installed in dry indoor spaces. The surface is painted. Cleaning with a mild, standard household detergent. Be careful when cleaning with a powerful dissolvent.



## Technical specification

### Classification

Suitable for degree of protection (IP):	IP20
---	------

### Packing

Package:	1
Unit:	PCS

### ETIM Data

Model:	Hotel card
Imprint/indication:	Symbol "arrows"
Scannable symbol/barrier free:	No
Suitable for touch sensor connector for bus system:	No

# Product Card

Center plate, for card switch 8114.1, white matt



Type of fastening:	Clamp mounting
Monitoring window/light outlet:	No
Material:	Plastic
Material quality:	Thermoplastic
Halogen free:	No
Surface protection:	Lacquered
Surface finishing:	Matt
Anti-bacterial treatment:	No
Colour:	White
RAL-number (similar):	9016
With label area:	No
With exchangeable lens/symbol:	No
Impact strength:	IK03
Width:	63 mm
Height:	63 mm
Depth:	13.4 mm