

Product Card

Center plate, tele outlet, black matt



Center plate

Center plate, tele outlet, black matt

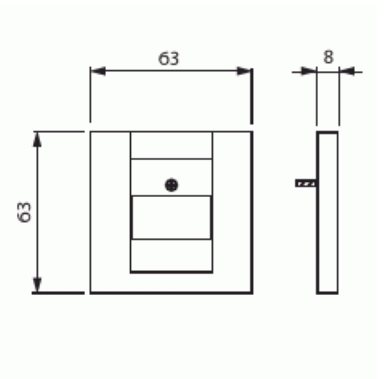
Type: 1766-885

Product ID: 2CKA001710A3903

GTIN: 4011395127261



Center plate for tele outlets. It is suitable for the 85mm cover frames. The surface material is painted. Cleaning with a mild, standard household detergent. Be careful when cleaning with a powerful dissolvent.



Technical specification

Classification

Suitable for degree of protection (IP):	IP20
---	------

Packing

Package:	1/10
Unit:	PCS

ETIM Data

Assembly arrangement:	Control element
Utilization:	D-Sub 15-pole
Support ring:	No
With dust cover:	No

Product Card

Center plate, tele outlet, black matt



With hinged lid:	No
Outlet direction:	Straight
Imprintable label:	Without indication field
With imprint:	No
Mounting method:	Flush mounted (plaster)
Material:	Plastic
Material quality:	Thermoplastic
Halogen free:	Yes
Anti-bacterial treatment:	No
Surface protection:	Lacquered
Surface finishing:	Matt
Colour:	Black
RAL-number (similar):	9005
Transparent:	No
Type of fastening:	Mounting with screw
Number of modules (module system):	1
With buses/couplings:	No
Suitable for number of connectors:	1
With strain relief:	No
Shielded buses:	No
Shielded housing:	No
Luster terminal:	No
With lighting:	No
Device width:	63 mm
Device height:	63 mm
Device depth:	8.4 mm
Min. depth of built-in installation box:	32 mm