

## Center plate

Center plate, tele outlet, steel

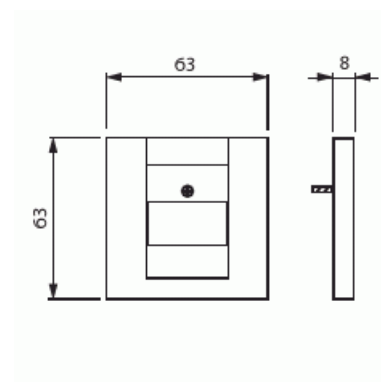
**Type:** 1766-866

**Product ID:** 2CKA001710A3765

**GTIN:** 4011395087848



Center plate for tele outlets. It is suitable for the 85mm cover frames. The surface material is pure stainless steel and easy to keep clean. Cleaning with a mild, standard household detergent. Be careful when cleaning with a powerful dissolvent.



## Technical specification

### Packing

Package:	1/10/100/2800
Unit:	PCS

### ETIM Data

Assembly arrangement:	Control element
Utilization:	TAE
Support ring:	No
With dust cover:	No
With hinged lid:	No
Outlet direction:	Straight
Imprintable label:	Without indication field

# Product Card

Center plate, tele outlet, steel



With imprint:	No
Mounting method:	Flush mounted (plaster)
Material:	Metal
Material quality:	Stainless steel
Halogen free:	Yes
Anti-bacterial treatment:	No
Surface protection:	Untreated
Surface finishing:	Matt
Colour:	Stainless steel
Transparent:	No
Type of fastening:	Mounting with screw
Number of modules (module system):	1
With buses/couplings:	No
Suitable for number of connectors:	1
With strain relief:	No
Shielded buses:	No
Shielded housing:	No
Luster terminal:	No
With lighting:	No
Suitable for degree of protection (IP):	IP20
Device width:	63 mm
Device height:	63 mm
Device depth:	8.4 mm
Min. depth of built-in installation box:	32 mm