

Center plate

Center plate, Impressivo, for card switch 8114.1, anthracite

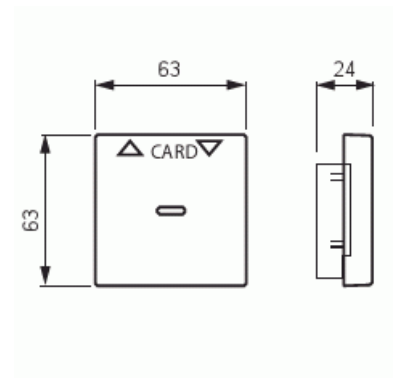
Type: 1792-81

Product ID: 2CKA001710A3639

GTIN: 4011395064818



Special rocker for card switch insert 8114.1. Used, for example, as a hotel-room "main switch" with a card the size of a credit card. Can only be installed in dry indoor spaces. Manufactured from a durable high quality plastic material. The surface is glossy and easy to keep clean. Cleaning with a mild, standard household detergent. Be careful when cleaning with a powerful dissolvent.



Technical specification

Classification

| | |
|---|------|
| Suitable for degree of protection (IP): | IP20 |
|---|------|

Packing

| | |
|----------|---------------|
| Package: | 1/10/100/2800 |
| Unit: | PCS |

ETIM Data

| | |
|---|-----------------|
| Model: | Hotel card |
| Imprint/indication: | Symbol "arrows" |
| Scannable symbol/barrier free: | No |
| Suitable for touch sensor connector for bus system: | No |

Product Card

Center plate, Impressivo, for card switch 8114.1, anthracite



| | |
|---------------------------------|----------------|
| Type of fastening: | Clamp mounting |
| Monitoring window/light outlet: | No |
| Material: | Plastic |
| Material quality: | Thermoplastic |
| Halogen free: | No |
| Surface protection: | Untreated |
| Surface finishing: | Glossy |
| Anti-bacterial treatment: | No |
| Colour: | Anthracite |
| RAL-number (similar): | 7021 |
| With label area: | No |
| With exchangeable lens/symbol: | No |
| Impact strength: | IK03 |
| Width: | 63 mm |
| Height: | 63 mm |
| Depth: | 13.4 mm |