

Product Card

Center plate, Impressivo, tele outlet, anthracite



Center plate

Center plate, Impressivo, tele outlet, anthracite

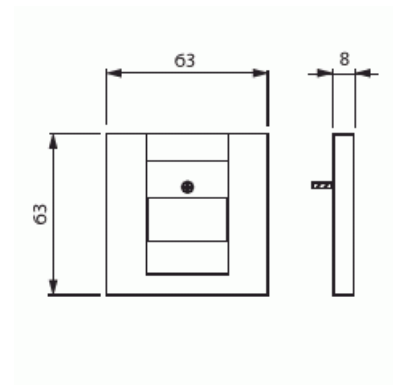
Type: 1766-81

Product ID: 2CKA001710A3613

GTIN: 4011395056318



Center plate for tele outlets. It is suitable for the 85mm cover frames and with the 2519-xx adapter also for the 100mm cover frames. The manufacture material is a durable high quality plastic. The surface is glossy and easy to keep clean. Cleaning with a mild, standard household detergent. Be careful when cleaning with a powerful dissolvent.



Technical specification

Classification

Suitable for degree of protection (IP):	IP20
---	------

Packing

Package:	1/10/100/2800
----------	---------------

Unit:	PCS
-------	-----

ETIM Data

Assembly arrangement:	Control element
-----------------------	-----------------

Utilization:	D-Sub 15-pole
--------------	---------------

Support ring:	No
---------------	----

With dust cover:	No
------------------	----

Product Card

Center plate, Impressivo, tele outlet, anthracite



With hinged lid:	No
Outlet direction:	Straight
Imprintable label:	Without indication field
With imprint:	No
Mounting method:	Flush mounted (plaster)
Material:	Plastic
Material quality:	Thermoplastic
Halogen free:	Yes
Anti-bacterial treatment:	No
Surface protection:	Untreated
Surface finishing:	Glossy
Colour:	Anthracite
RAL-number (similar):	7021
Transparent:	No
Type of fastening:	Mounting with screw
Number of modules (module system):	1
With buses/couplings:	No
Suitable for number of connectors:	1
With strain relief:	No
Shielded buses:	No
Shielded housing:	No
Luster terminal:	No
With lighting:	No
Device width:	63 mm
Device height:	63 mm
Device depth:	8.4 mm
Min. depth of built-in installation box:	32 mm