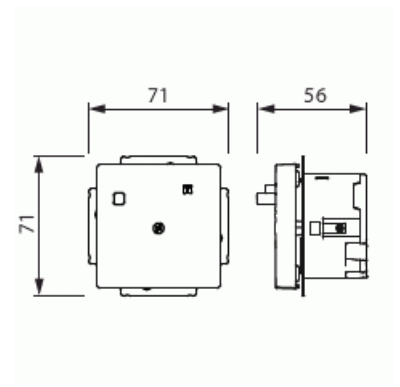


Fault current protection

Type: 3150UC-81.1

Product ID: 2CCF019500R0001

GTIN: 7612271497071



Technical specification

Packing

Package:	1/10
Unit:	PCS

ETIM Data

With signal lamp:	No
Number of units:	1
Number of phases:	1
Imprint/indication:	None
Connection type:	Push-in clamp
With hinged lid:	No
With enhanced contact protection:	No

Product Card

Fault current protection



Label space/information surface:	No
Colour:	Anthracite
RAL-number (similar):	7021
Metallic colour:	No
Transparent:	No
Lockable:	No
Eject-mechanism:	No
Insulated mounting:	No
With function lighting:	No
With orientation lighting:	No
Over voltage protection:	No
Fault current protection:	Yes
With miniature fuse:	No
Special power supply:	No special power supply
Mounting method:	Flush mounted (plaster)
Type of fastening:	Mounting with claw and screw
Material:	Plastic
Material quality:	Thermoplastic
Halogen free:	Yes
Surface protection:	Untreated
Surface finishing:	Glossy
Anti-bacterial treatment:	No
With loop through function:	Yes
With on/off switch:	No
Rotated central insert:	No
Nominal current:	16 A
Nominal voltage:	230 V
Frequency:	50...60 Hz
Rated fault current:	30 mA
Suitable for degree of protection (IP):	IP21
Device width:	71 mm
Device height:	71 mm
Device depth:	56 mm
Min. depth of built-in installation box:	40 mm

Product Card

Fault current protection



Compatible with Apple HomeKit:	No
Compatible with Amazon Alexa:	No
Compatible with Google Assistant:	No
IFTTT support available:	No