

Product Card

Socket residual current device, 30mA, A-type



SRCD

Socket residual current device, 30mA, A-type

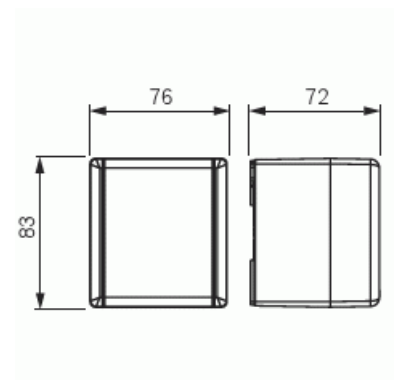
Type: 3120EUG-44.2

Product ID: 2CCF019495R0001

GTIN: 7612271473860



Socket residual current device with a rated current of 16 A and a rated residual current of 30mA.



Technical specification

Electrical quantities

Nominal current:	16 A
Nominal voltage:	230 V

Classification

Suitable for degree of protection (IP):	IP44
---	------

Packing

Package:	1/10
Unit:	PCS

ETIM Data

© ABB 2025

Business ID 0763403-0

www.installationmaterials.com

Customer service

puh. +358 10 222 1999

contact.center@fi.abb.com

ABB Exchange

+358 10 22 11

Product Card

Socket residual current device, 30mA, A-type



ETIM Version:	ETIM-9.0
ETIM Class:	EC000125
Number of active pins (round):	2
With signal lamp:	No
Number of units:	1
Number of phases:	1
Imprint/indication:	None
Connection type:	Push-in clamp
With hinged lid:	No
With enhanced contact protection:	Yes
Label space/information surface:	No
Colour:	White
RAL-number (similar):	9010
Metallic colour:	No
Transparent:	No
Lockable:	No
Eject-mechanism:	No
Insulated mounting:	No
With function lighting:	No
With orientation lighting:	No
Over voltage protection:	No
Fault current protection:	Yes
With miniature fuse:	No
Special power supply:	No special power supply
Mounting method:	Surface mounted (plaster)
Type of fastening:	Mounting with claw and screw
Material:	Plastic
Material quality:	Thermoplastic
Halogen free:	Yes
Surface protection:	Untreated
Surface finishing:	Glossy
Anti-bacterial treatment:	No
With loop through function:	Yes
With on/off switch:	No

Product Card

Socket residual current device, 30mA, A-type



Rotated central insert:	No
Frequency:	50...60 Hz
Rated fault current:	30 mA
Device width:	77 mm
Device height:	83 mm
Device depth:	73 mm
Compatible with Apple HomeKit:	No
Compatible with Amazon Alexa:	No
Compatible with Google Assistant:	No
IFTTT support available:	No