

# FEH1001

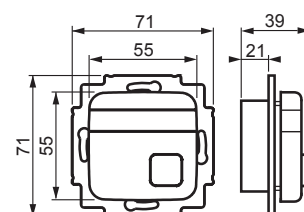
Name: **Control Unit**  
 Control Unit, 1-loop  
 Signal

Type: FEH1001

EAN: 6410070607117

Description: The loop controls itself against short circuits and breaks. Possibility to connect both closing and opening potential free contacts. Input delay 150 ms / 2,5 s. Memory / no memory function. Potential free output. Cancelling button with LED. Good marking possibilities on the button and name plate.  
 Operating voltage: 15 - 28 V ac / 18 - 35 V dc. Current consumption: 70 mA ac / 40 mA dc.

Package: 1/10  
 Unit: PCS



## Technical specification

### Dimensions

Dimensions 71x71x39 mm  
 Weight 45 g

### Classification

Enclosure class IP20

### Electrical quantities

Current consumption 70 mA ac / 40 mA dc  
 Operating voltage 15 - 28 V ac / 18 - 35 V dc

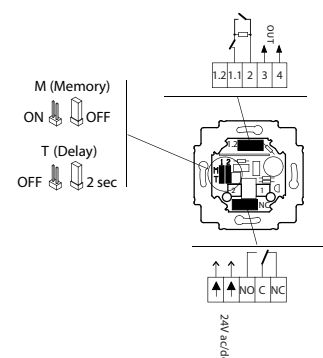
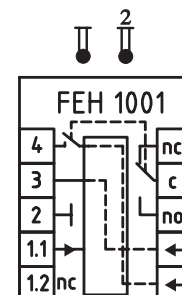
### Signal products

Load capacity of power supply 1,0 A ac/dc, 30 VA / W  
 Load capacity of potential free contact 1,0 A ac/dc, 42 V ac / 60 V dc, 30 VA / W  
 Loop's memory function on / off  
 Alarm delay 0,1 / 2,5 s (valittavissa silmukakohtaisesti)  
 Loop's terminator  $\geq 1 \text{ k}\Omega$   
 Loop's closed circuit current  $\geq 5 \text{ mA}$   
 Function of loop

### thermal conditions

Operating temperature 5 ... 40 °C  
 Storage temperature -40 ... 70 °C

### ETIM



# FEH1001

ETIM 7	EC002247 (EC002247)
ETIM 8	EC002247 (EC002247)
<b>ETIM 8</b>	
Model	Regulating combination
Colour	White
RAL-number (similar)	9010
Voltage type	AC/DC
Degree of protection (IP)	IP20
Width of device	71 mm
Height of device	71 mm
Depth of device	39 mm