

# AP10/G

Name: **Junction box**  
Junction box IP65, grey

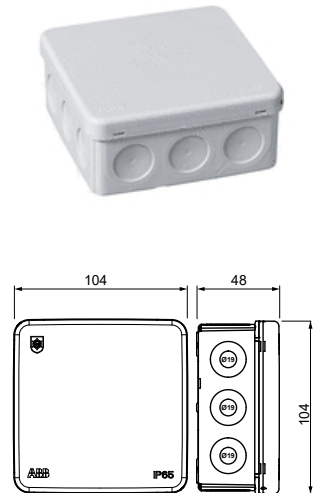
Type: AP10/G

EAN: 6418677307287

Description: The square junction box AP10/G (6,0 mm<sup>2</sup>, 500 V) is equipped with 12 membrane cable entries (Ø 19 mm) in the sides, and two on the bottom. Cables are easy to connect by simply inserting the stripped ends through the inlets. The box locks by snapping and can be opened by inserting a screwdriver (for example) into the opening slots - no screws are needed. The box can be furnished with strain-reliefs AS9.10, AS9, AS9.1 and AS9.3. Mounting temperature -25...+60 °C. Made of halogen free material (IEC/61249-2-21)

Package: 5/30

Unit: PCS



## Technical specification

### Dimensions

Dimensions 104 x 104 mm

### Classification

Enclosure class IP65

### Electrical quantities

Rated voltage 500 V

Wire range 6 mm<sup>2</sup>

### Colors

Colour Grey

Colour code RAL7035

### ETIM

ETIM 7 EC002600 (EC002600)

ETIM 8 EC002600 (EC002600)

### ETIM 8

Max. conductor cross section 6 mm<sup>2</sup>

Equipped with None

Shape Square

Mounting method Universal

Mounting in the soil no

Mounting under water no

# AP10/G

For tube diameter	Other
Inlet from the rear	yes
Length	104 mm
Width	104 mm
Depth	48 mm
Tackable	no
Number of inlets	14
Type of housing feed-through	Seal membrane
Material	Plastic
Halogen free	yes
Surface protection	Untreated
Colour	Grey
Degree of protection (IP)	IP65
Degree of protection (NEMA)	Other
Cover model	Blind cover
Transparent cover	no
Cover attachment	Snapped on
Castable	no
With casting compound	no
Sealable	no
Rated insulation voltage Ui	500 V
Circuit integrity	None
With screening	no
Weatherproof	yes
Operating temperature	-25 ... 60 °C
Explosion-tested version	no
For Ex-zone gas	None
For Ex-Zone dust	None