

Jussi and IMPRESSIVO® floor heating thermostats

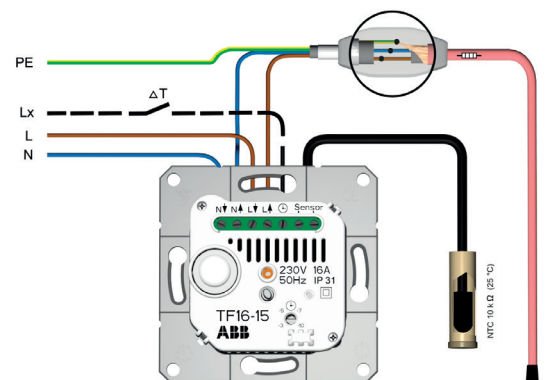
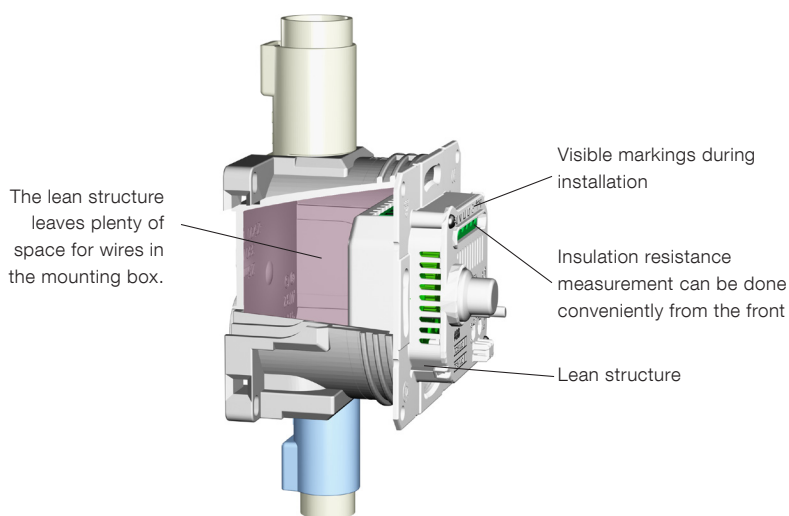
Energy efficient temperature control

New floor thermostats for Jussi and Impressivo series

- Reliable and easy to use
- Reinforced structure
- Easy to install
- The lean structure leaves plenty of space for installation
- Temperature drop: adjustable (3-10 °C)
- 16 A, 2-pole, IP31
- Compatible with all colors and cover frames in the Impressivo series



Type	Description	Package
Jussi (incl. insert, sensor, center plate and cover plate)		
TF16-15-214	Floor heating thermostat 16A	1/10
Impressivo (incl. insert, sensor and center plate)		
TF16-15-84	Floor heating thermostat 16A, white	1/10
Modular		
TF16-15U	Floor heating thermostat insert 16A, with sensor	1/10
T-11-84	Center plate, Impressivo, white	1/10
T-11-81	Center plate, Impressivo, anthracite	1/10
T-11-83	Center plate, Impressivo, aluminum	1/10
Design-series. As per separate order		
T-11-866	Center plate, painted steel	1/10



FURTHER INFORMATION

Kari Pulkkinen, Product Manager, Electronics

ABB Oy
 P.O. Box 16 (Porvoon Sisäkehä 2)
 FI-06101 Porvoo, Finland
 Tel. +358 10 22 11
www.installationmaterials.com